

## SRD-99

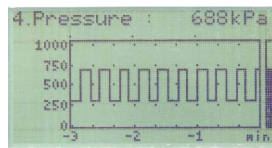
- data recorder
- up to 8 inputs 0/4 - 20 mA or Pt100/Pt500/Pt1000
- 1 digital input for recording release
- USB Host port for flash data storage
- RS-485 / Modbus RTU
- graphic display



The **SRD-99** device is designed to record and display current values as well as to present technological parameters in the form of graphs. The device is equipped with eight temperature (Pt100/500/1000) or current (in the 0/4-20 mA standard) inputs, one impulsive (digital) input for controlling the recording process and one USB Host port for flash data storage. The device has the memory capacity of 2 MB (500 000 data recordings altogether) or 8 MB in version with USB (2 000 000 data recordings). The internal analogue-digital converter has a 16 bit resolution (12 bit in unit with 0/4-20mA inputs), which provides high recording resolution results. Additionally, individual alphanumeric description (text) of each of the recorded channels is possible. The menu assisted with full text descriptions makes the unit configuration process quite easy. However, due to a significant number of configured parameters it is advised to use the attached configuration software for PCs.

- USB Host port for flash data storage (option),
- a legible graphic display 128x64 points, with a backlight,
- current graph of trends for each channel respectively,
- free configuration and recording software,
- insulated communication interface RS-485.

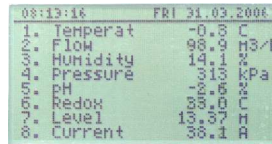
### An example of what the display looks like



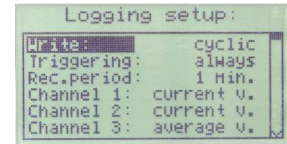
The history of the process in time



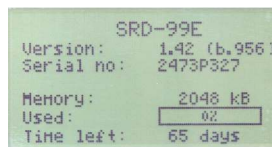
The current value of the measurement signal  
Height of the digits: 18 mm



8-channel view displayed at the same time



Recording parameters



Device information



Main menu of the unit

### Ordering

SRD-99-XX00-1-X-XX1

#### options:

- 00 : no options
- 01 : IP 65 (version without USB)
- 0B : USB Host port

#### power supply:

- 3 : 24V AC/DC
- 4 : 85V - 260V AC/DC

#### type of inputs:

- 1 : current 0/4-20 mA
- 3 : RTD (Pt100, Pt500, Pt1000)

#### number of inputs:

- 1
- 4
- 8

### Technical data

**Power supply voltage:** 19V + 50V DC; 16V + 35V AC or 85 + 260V AC/DC

**Power consumption:** typical 7 VA; max. 12 VA

**Display:** lit, graphic LCD, 128 x 64 points, with backlight

**Measuring inputs:** 1, 4 or 8; Pt100; Pt500; Pt1000 (2 and 3-conductor connection) or 0/4-20 mA inputs; common earthing

**Measuring range:** ± 9999 + decimal point (current inputs); -100°C + +600°C (RTD inputs) with resolution 0,1°C

**Digital input:** 1 input 24V DC

**Sensors supply:** 24 V DC±5% / 200 mA, not separated from measuring inputs

**Communication interface:** RS-485 (MODBUS RTU) or USB Host port, galvanically separated

**Transmission speed:** 1200 - 115200 bit/sec.

**Memory capacity:** 2 MB (500 000 data recordings),

8 MB (above 2 000 000 data recordings) in version with USB Host

#### Type of protection:

**version without USB:** a) IP 40 (front side), b) IP 65 (front side when an additional frame is installed)

**version with USB:** c) IP 20, d) IP 42 (when transparent door with security key type STD-99 is installed, see: optional accessories)

**Working temperature:** 0°C + +60°C

**Storage temperature:** -10°C + + 70°C

**Case:** board

**Case material:** NORYL - GFN2S E1

**Case dimensions:** 96 x 96 x 100 mm

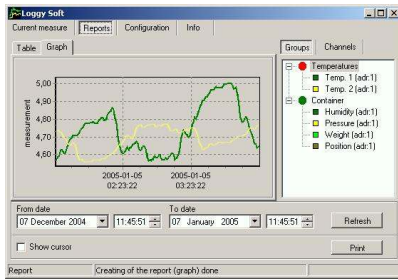
**Panel cut-out dimensions:** 90,5 x 90,5 mm

**Installation depth:** min. 102 mm

**Board thickness:** max. 5 mm

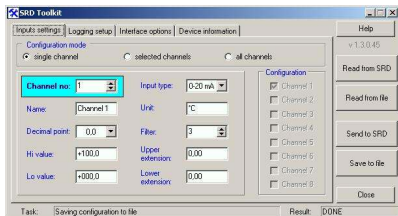
## Software attached with data recorder

## 1. Loggy Soft



The **Loggy Soft** program enables the visualization, archiving and printing of measurements (e.g. temperature, humidity, pressure) stored in SRD-99-type device memory. Work with SRD-99-type devices takes place through an RS-485 serial interface. Connecting a network of units to a serial port (RS-232) or USB port of a PC is possible thanks to a converter (RS-485 to RS-232 or RS-485 to USB) produced by SIMEX.

## 2. SRD Toolkit

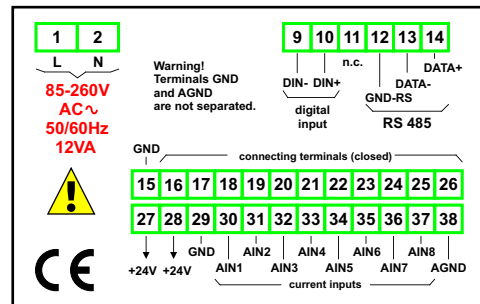


The **SRD Toolkit** software enables configuration reading and writing operations, updating the device firmware and obtaining basic information on SRD-99-type devices through RS-485 serial interface. This application enables to quickly and easily define device parameters in one of three possible configuration models. The set of parameters can be transmitted directly to the device or stored in a file for future use.

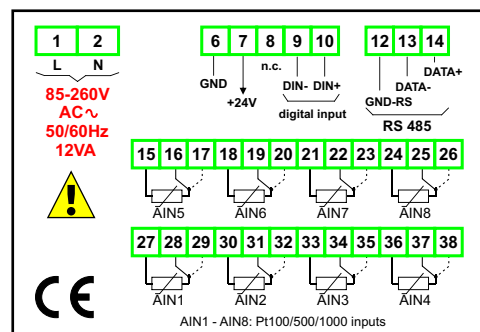


Data recorder **SRD-99** with transparent door STD-99, type of protection IP 42

## Exemplary pin assignment



version with current inputs



version with Pt inputs

## Content of package

- data recorder **SRD-99**,
- assembly brackets - 2 pieces,
- warranty,
- user's manual for **SRD-99** unit,
- user's manual for **Loggy Soft** used for moving, reporting, archiving and displaying registered data,
- user's manual for **SRD Toolkit** used for data recorder configuration,
- CD-ROM with the aforesaid manual in PDF format and installations of **Loggy Soft** and **SRD Toolkit** software.



## Optional accessories



**SRS-U/4-Z45**  
USB/RS-485 converter



**SRS-2/4-Z45**  
RS-232/RS-485 converter

**STD-99**

Transparent door with moulded frame acc. to DIN 43700, lockable with security key. Door and frame are made by injection moulding thus assuring an exact fit, an optimal choice of a material which is very strong and with no risk of corrosion; perfect seal-protective system IP 42 acc. to DIN 40050 provided by all-round soft rubber sealing the moulding; due to the special door mountings, the door does not swing in or out sideways on opening; door-frame and front-frame can be exchanged. The ready-assembled units cannot be opened by unauthorised persons without using force or special equipment.