

## ET7S Isolating Electrical Transmitters

ET7S10: Loop Powered  
ET7S11: Aux Powered

### Features

- Loop/Aux Powered
- V/I input selection by DIP switch
- Input/output galvanic isolation
- 0.1% accuracy
- SLIM Housings
- Front accessible Zero/ Span potentiometers

### Benefits

- Loop powered helps reduce wiring cost
- Input selection helps reduce inventory cost
- Galvanic Isolation reduces measurement errors
- High accuracy safeguards signal integrity
- SLIM housing allows high density DIN rail mounting
- Front accessible Zero & Span potentiometers allows In-Situ calibration

### Application

- Signal Isolation between system & field
- Safety of high cost equipment
- Remove high common mode voltage
- Eliminate ground loop currents
- Translate signal from voltage to current
- Reduce wiring costs

## Technical Specifications:

### Input (Dip switch selectable)

Current : 0-20mA, 4-20mA  
Voltage : 1-5V, 0-10V

### Impedance

Current : ET7S10:100Ω  
ET7S11:47Ω  
Voltage : 1MΩ  
CMRR : >100dB  
NMRR : >50dB

### Output

**ET7S10** : 4-20mA  
Load : (Loop Supply -7.5V)/0.020mA max  
: Current Limit - 26mA  
**ET7S11** : 4-20mA, 0-20mA, 1-5V, 0-10V  
(Factory set)  
Load : Current - 750Ω max  
: Current limit - 26mA  
: Voltage - 5KΩ min

Accuracy : 0.1% of span  
Tempco : <150 ppm  
Response time : <50mS  
Calibration : Front panel potentiometers  
Isolation (Input/output/supply) : 1.5KVAC

### Power supply

ET7S10 : 7.5-36VDC Loop supply  
ET7S11 : 18-36VDC Aux supply

### Environmental

Operating Temperature : 0 to 55°C  
Storage Temperature : -10 to 70°C  
RH : 30 to 90%(non-condensing)

### Enclosure colour

ET7S10 : Green  
ET7S11 : Grey

### Weight

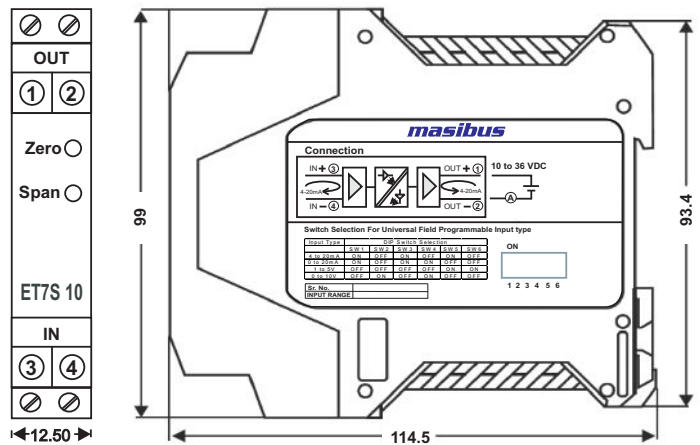
ET7S10 : 90gm  
ET7S11 : 100gm

### Mounting

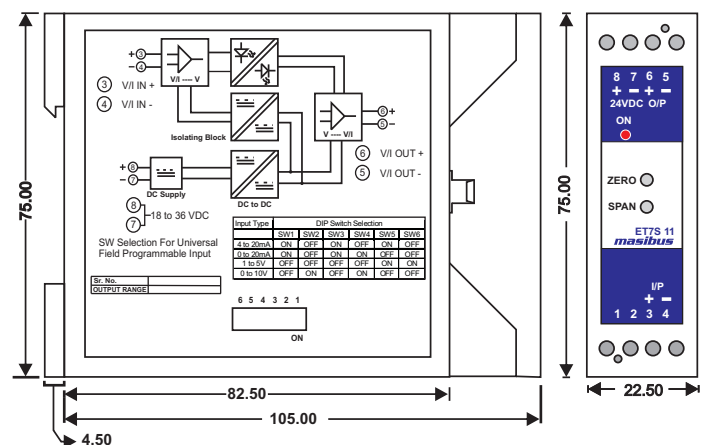
: 35mm DIN Rail

### Dimensions

ET7S10 (12.5 X 99 X 114.5 mm)



ET7S11 (22.5 X 75 X 110 mm)



## ORDERING CODE

Model	Supply	Input	Output
ET7S	10 Loop	1 4-20mA	1 4-20mA
	11 Aux	2 0-20mA	2* 0-20mA
		3 1-5V	3* 1-5V
		4 0-10V	4* 0-10V
			5* 0-5V

\*Available in Aux powered model ET7S11 only

### Head Office:

**Masibus Automation And Instrumentation Pvt. Ltd.**  
B-30, GIDC Electronic Estate, Sector-25, Gandhinagar-382044. Gujarat. India.  
Telephone.: +91 79 23287275-79. Fax.: +91 79 23287281-82  
Email: sales@masibus.com. Website: www.masibus.com

All specifications are subject to change without notice due to technology reasons.  
Doc. Ref. ET7 S/RO/0611

### Masibus Representative:

Marketed By: Digital Promoters (India) Pvt. Ltd.  
505, Vishal Bhavan, 95, Nehru Place, New Delhi - 110019  
Contact: 011-47003900, DigitalPromoters@gmail.com,  
www.DigitalPromoters.com