

■ Features

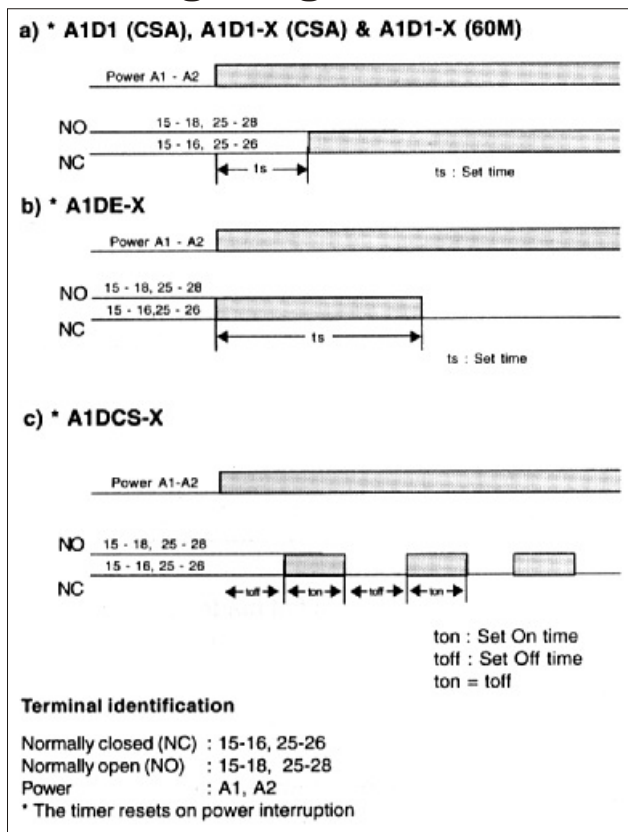
- Din sized (22.5mm x 75mm) enclosure for Track / Screw mounting.
- Front terminal protective cover for safety.
- LED indication for timing in progress.
- 2 C/O relay output.
- Time delay selectable in four ranges.



■ Ordering Information

Model	Function	Source Voltage	Time Range	CSA Approval
A1D1 (CSA)	On - Delay	240V AC /12V DC	0.3 secs to 30 mins	✓
A1D1-X (CSA)	On - Delay	24V AC to 240V AC & 24V DC to 220V DC	0.3 secs to 30 mins	✓
A1D1-X (60M)	On - Delay	24V AC to 240V AC & 24V DC to 220V DC	0.6 secs to 60 mins	✓
A1DE-X	Interval	24V AC to 240V AC & 24V DC to 220V DC	0.3 secs to 30 mins	✓
A1DCS-X	Equal On Off cyclic	24V AC to 240V AC & 24V DC to 220V DC	0.6 secs to 60 mins	✓
A1D1 (SR)	On - Delay with single range	12 V DC	18 Secs to 180 Secs	✓

■ Timing Diagram



■ Specifications

CSA FILE NO : LR 105610

Operating Voltage Range	- 20% to + 10% of rated voltage***
Rated frequency	50 Hz / 60 Hz* ±5%
Allowable ripple for DC	3% maximum
Power consumption	10V A / 2W *3VA/1W
Control output	5A@ 250V AC/28V DC, Resistive load ±10% for both V & I
Setting Accuracy	±10% max. w.r.t. Full Scale **
Repeat Accuracy	±1% maximum**
Resetting Time	100 mSecs. minimum
Recovery Time	100 mSecs. minimum
Rated frequency of operation	1800/hr ±5%
Variation due to voltage change	±2% max.**
Variation due to temp. change	±5% max.**
Ambient Temperature	Operating: - 10° C to + 55° C Storage : - 25° C to + 80° C
Humidity	Max. 85% RH @ 40° C
Service Life	10 ⁶ operations minimum under no load
Electrical Life	10 ⁵ operations minimum with full load
Connections	Screw type terminals with self lifting clamps
Dimensions	22.5 x 75 x 102 mm [W x H x D]
Wire Size	2.5 mm ² max.
Approx. Weight	110 gms.

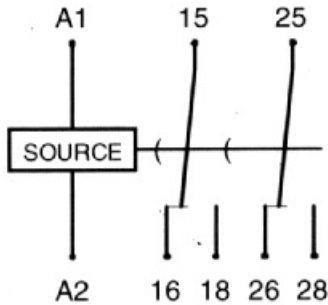
*** ± 10 % of rated voltage for A1D1 12V DC

* Applicable for X version only

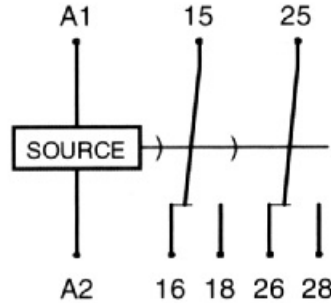
** Add ± 100msec. to the respective characteristics throughout the range.

◆ Connections

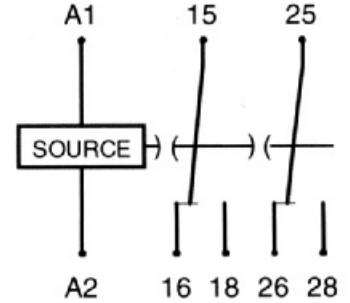
**A1D1(CSA), A1D1-X(CSA)
& A1D1-X(60M)**



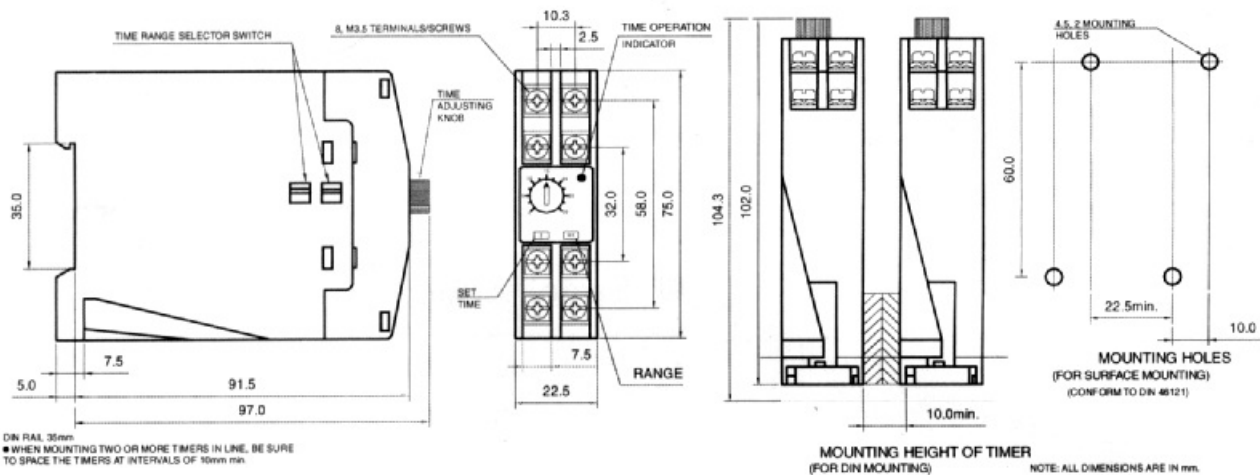
A1DE-X TIMER



A1DCS-X TIMER



◆ Dimensions



◆ Accessories

- Protective Cover
The protective cover shields the front panel, particularly the timer setting section from dust, dirt and water drip as well as prevents the set value from being altered due to accidental contact with time setting knob
- End plate / Spacer

◆ Hints on correct use

- Change the positions of range selector slide switches on the left hand side of the timer with a flat blade screw driver and rotate the pot to get desired time setting
- Caution
 - Do not change the time range while the timer is in operation
 - Switch off power while changing the time range
 - Application of voltage other than the specified one will permanently damage the timer

■ Features

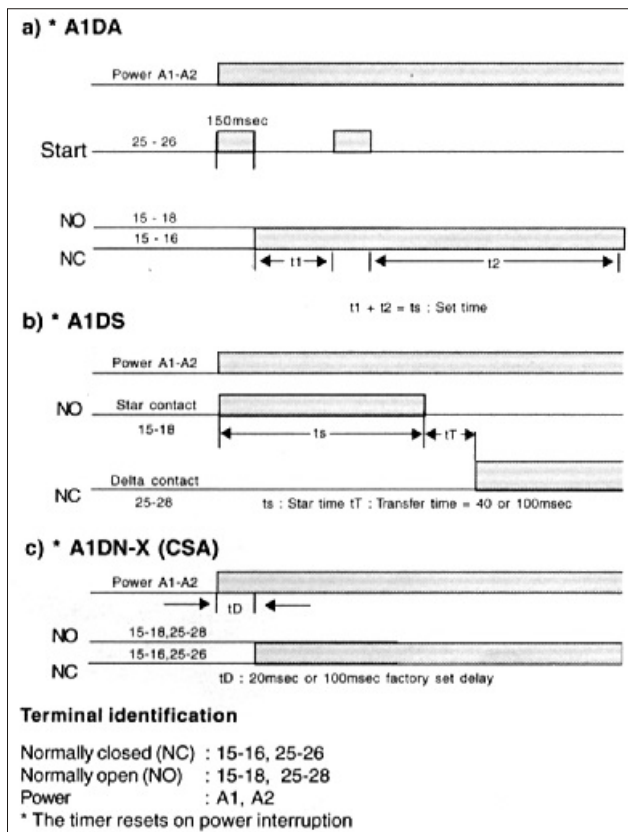
- Din sized (22.5mm x 75mm) enclosure for Track / Screw mounting.
- Front terminal protective cover for safety.
- For A1DA : External command contact for timing initiation.
- For A1DS : Transfer time delay of 40msec /100msec, user selectable.
- For A1DN-X (CSA) : 20 msec/100 msec factory set delay.



■ Ordering Information

Model	Function	Source Voltage	Time Range
A1DA	Signal off-delay	240V AC /110V Ac0	0.3 secs to 30 mins
A1DS	Star- delta changeover	240V AC	0.6 secs to 60 secs
A1DN-X (CSA)	Auxillary contact	24V AC to 240V AC & 24V DC to 220V DC	20 msec/100 msec

■ Timing Diagram



■ Specifications

CSA FILE NO : LR 105610

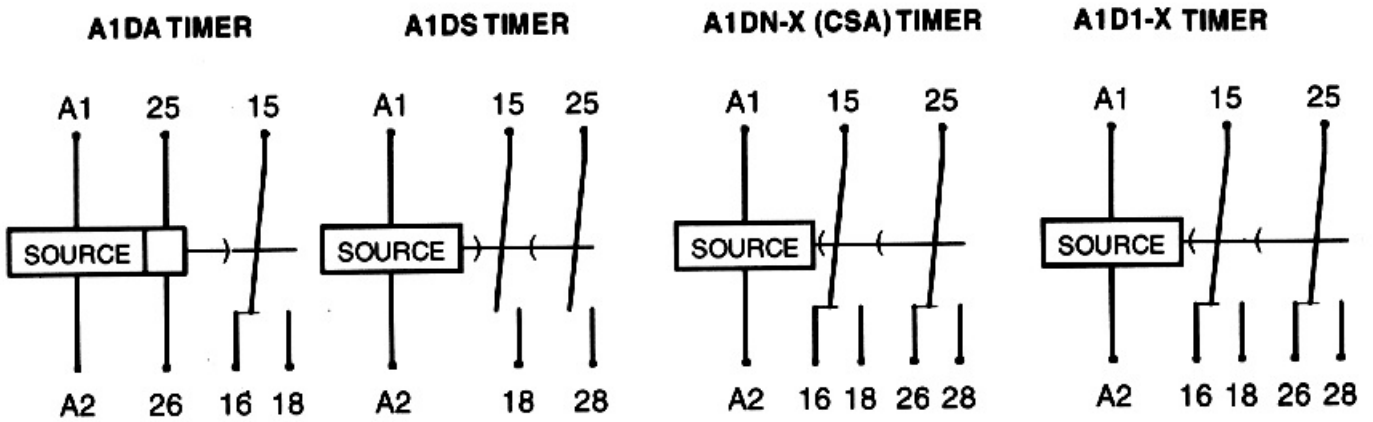
Operating Voltage Range	- 20% to + 10% of rated voltage
Rated frequency	50 Hz / 60 Hz* ±5%
Allowable ripple for DC	3% maximum
Power consumption	10V A / 2W *3VA/1W
Control output	5A@ 250V AC/28V DC, Resistive load ±10% for both V & I
Setting Accuracy	±10% max. w.r.t. Full Scale **
Repeat Accuracy	±1% maximum**
Resetting Time	100 mSecs. minimum
Recovery Time	100 mSecs. minimum
Rated frequency of operation	1800/hr ±5%
Variation due to voltage change	±2% max.**
Variation due to temp. change	±5% max.**
Ambient Temperature	Operating: - 10° C to + 55° C Storage : - 25° C to + 80° C
Humidity	Max. 85% RH @ 40° C
Service Life	10 ⁶ operations minimum under no load
Electrical Life	10 ⁵ operations minimum with full load
Connections	Screw type terminals with self lifting clamps
Dimensions	22.5 x 75 x 102 mm [W x H x D]
Wire Size	2.5 mm ² max.
Approx. Weight	110 gms.

*** ± 10 % of rated voltage for A1D1 12V DC

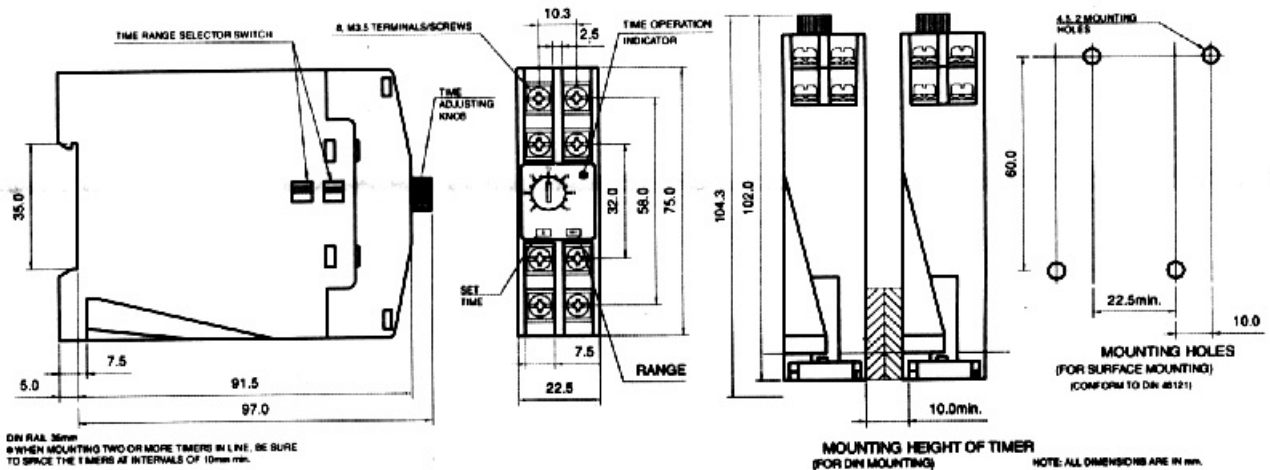
* Applicable for X version only

** Add ± 100msec. to the respective characteristics throughout the range.

◆ Connections



◆ Dimensions



◆ Accessories

- Protective Cover
The protective cover shields the front panel, particularly the timer setting section from dust, dirt and water drip as well as prevents the set value from being altered due to accidental contact with time setting knob
- End plate / Spacer

◆ Hints on correct use

- Change the positions of range selector slide switches on the left hand side of the timer with a flat blade screw driver and rotate the pot to get desired time setting
- Caution
 - Do not change the time range while the timer is in operation
 - Switch off power while changing the time range
 - Application of voltage other than the specified one will permanently damage the timer
 - Do not apply potential across command contacts in case of A1DA timer